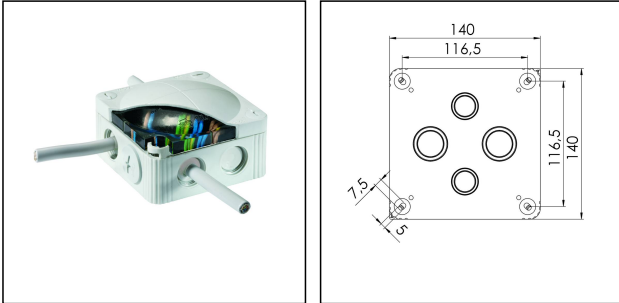
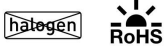



COMBI IP 68 SET 1010

Junction boxes with fluid sealing technique



Product illustrations are exemplary and may differ from the chosen product. Further variants and individual customization, we will gladly provide you on request.



Material	Polypropylene
Material sealing gasket	TPE
Temp. range min	-30 °C
Temp. range max	100 °C
Temperatures during install.	-5 °C - 60 °C
Protection class	IP68 (15 m 170 h)
Glow wire test	750 °C
Voltage	690 V
Terminals/poles	10 mm ²
Fixing	4 internal openings
Ø cable diameter min	6 mm
Ø cable diameter max	21 mm
External dimensions LxWxH	140 x 140 x 82 mm
Using for cable gland	
Product Color	RAL 7035
Order no. RAL 7035	10061488
Type	COMBI IP 68 SET 1010
Packing unit	1
ETIM-Classification	EC002600

Remarks:

Junction box with sealing compound
 Filling material: silicone gel
 Filling material in practical mixing bag, Plastic sprue for easy removal, screw plug

12.02.2018

WISKA Hoppmann GmbH
 Kisdorfer Weg 28 · 24568 Kaltenkirchen · Germany
 ☎ +49-4191-508-0 · 📠 +49-4191-508-209
 contact@wiska.de · www.wiska.com

